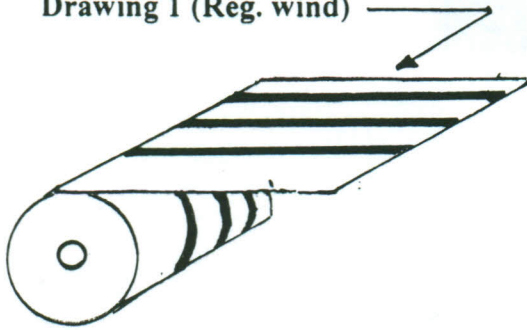
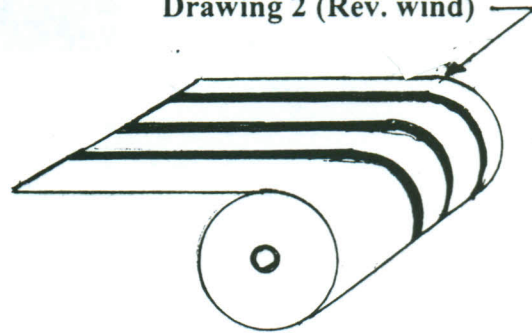


PVC roll Orientation

Left guide edge - critical
Drawing 1 (Reg. wind)

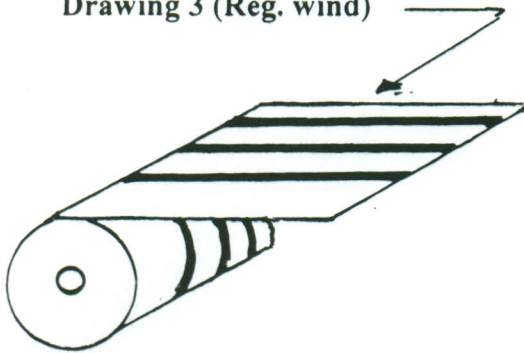


Right guide edge - critical
Drawing 2 (Rev. wind)

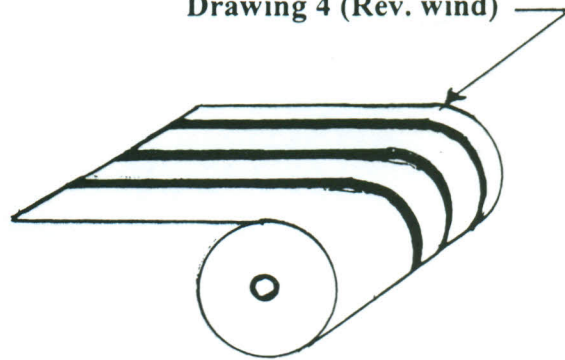


PET roll Orientation

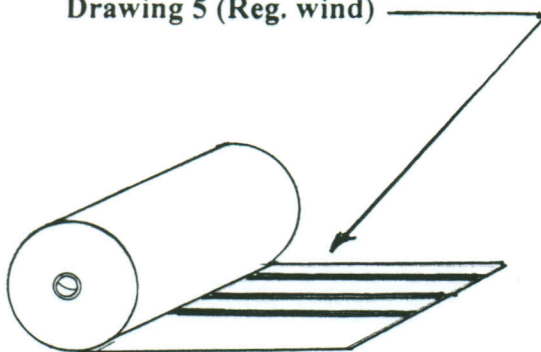
Left guide edge - critical
Poly IN (mag on outside)
Drawing 3 (Reg. wind)



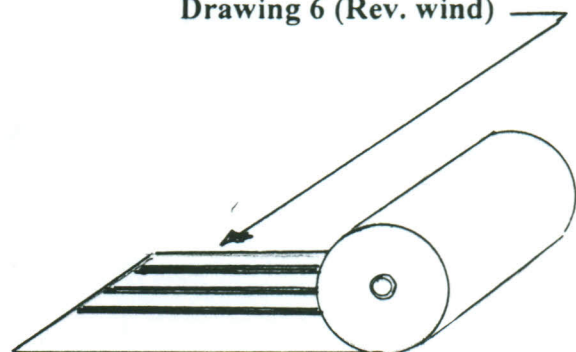
Right guide edge - critical
Poly IN (mag on outside)
Drawing 4 (Rev. wind)



Left guide edge - critical
Poly OUT (mag on inside)
Drawing 5 (Reg. wind)



Right guide edge - critical
Poly OUT (mag on inside)
Drawing 6 (Rev. wind)



Drawing created by JCP Enterprises, Inc.